

TP-1201

American DJ®

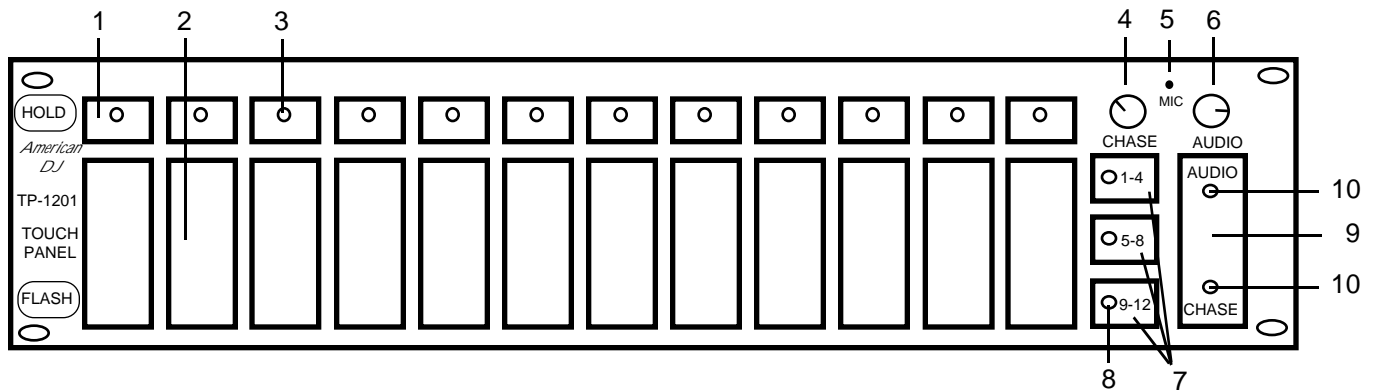
12-CHANNEL TOUCH CONTROL PANEL

(WITH CHASE FUNCTION)

MAIN FUNCTIONS:

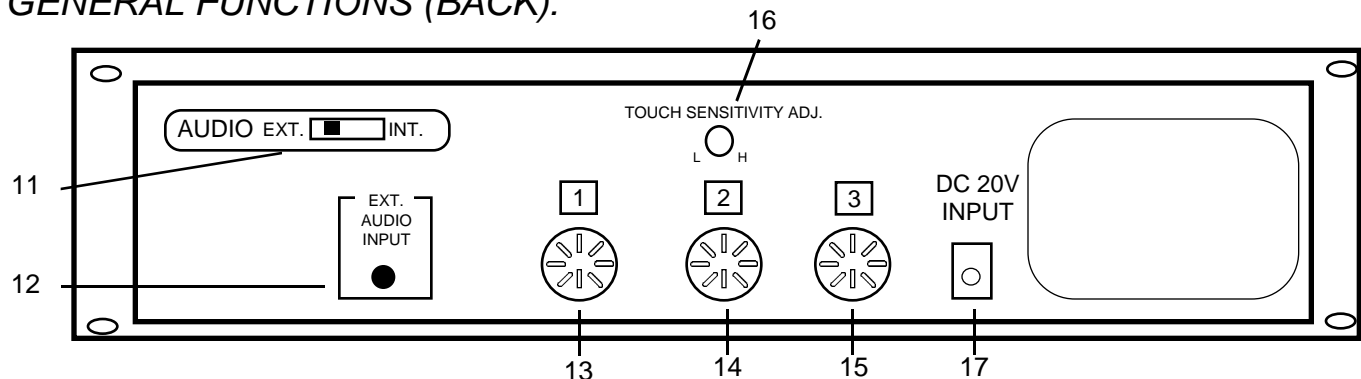
- 12CH 24 TOUCH SENSORS.
- FLASH AND HOLD MODES.
- 3 SETS OF SYNCHRONOUS OR RANDOM CHASE CONTROLS THAT CAN BE INDIVIDUALLY OPERATED.
- CHASE SPEED CONTROL.
- AUDIO SELECT INTERNAL OR EXTERNAL.

GENERAL FUNCTIONS (FRONT):



- HOLD MODE:** Touch to turn channel on, Touch again to turn channel off.
- FLASH BUTTON:** Holds channel on while touching it.
- CHANNEL INDICATOR LED:** Indicates selection.
- CHASE:** Adjusts chase speed.
- MIC:** Internal microphone.
- AUDIO:** Audio sensitivity.
- 1-4:** Selects channels 1-4 to chase.
- 5-8:** Selects channels 5-8 to chase.
- 9-12:** Selects channels 9-12 to chase.
- CHASE INDICATOR LED:** Indicates selection.
- AUDIO/CHASE:** Push audio to select audio sensitive mode, push chase to select chase mode.
- AUDIO/CHASE INDICATOR LED:** Indicates selection.

GENERAL FUNCTIONS (BACK):



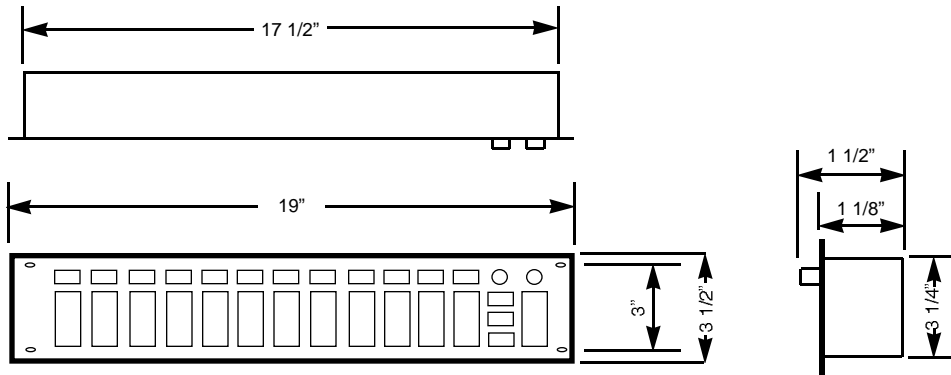
- AUDIO EXT./INT. SWITCH:** Select ext. to use the external audio line input jack, Select int. to use with internal microphone.
- EXT. AUDIO INPUT:** RCA jack to accommodate external connection for audio line input.
- 8 PIN SIGNAL OUTPUT JACK FOR CHANNELS 9-12.**
- 8 PIN SIGNAL OUTPUT FOR CHANNELS 5-8.**
- 8 PIN SIGNAL OUTPUT FOR CHANNELS 1-4.**
- TOUCH SENSITIVITY ADJ. POT:** To adjust hold and flash pads on panel.
- DC 20V INPUT:** To use external power supply.

TP-1201

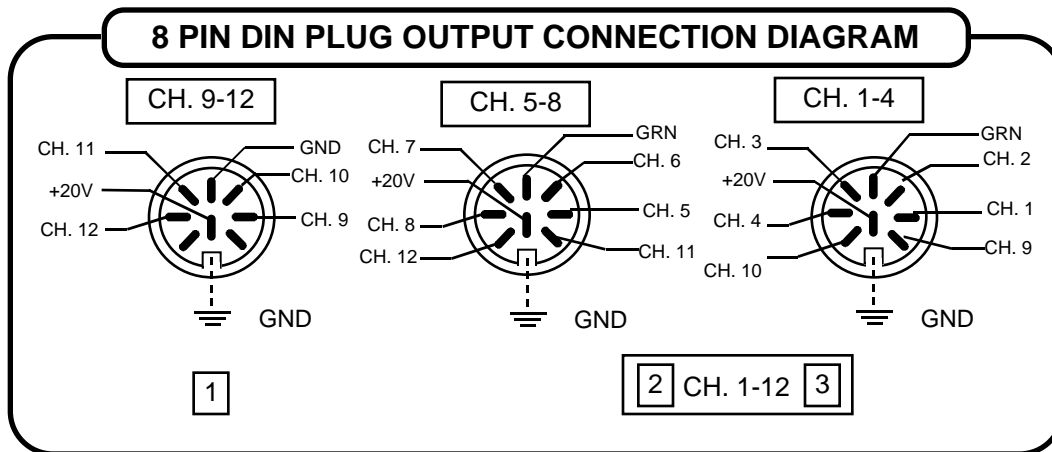
American DJ®

SPECIFICATIONS:

1. POWER INPUT : DC +20V.
2. SIGNAL OUTPUT : "ON" DC +10V; "OFF" DC +0V
3. WEIGHT : 29 oz.
4. DIMENSION : (unit : inches)



CONNECTIONS:



CONNECTED TO POWER PACK:

